

- ***Owner's Manual***
- ***Assembly Instructions***
- ***Warranty Information***

**Manufacturer: Protective Enclosures Company**

277 Douglas Avenue, Suite 1012

Altamonte Springs, Fl. 32714

1-800-331-2628

info@protectiveenclosures.com

[www.thetvshield.com](http://www.thetvshield.com)

*Save this assembly manual for future reference in the event that you need to order replacement parts.*



## IMPORTANT:

- If you are installing this enclosure in a high traffic area or an area where you are concerned with potential objects being thrown at or hit at the front panel, we recommend placing the TV at least 1.5" to 2" back from the front panel. You may need to build out an additional wall frame and attach our base frame to that. The clear front panel is flexible and will bow in with a severe hit.
- In order to avoid any enclosure scratches while installing, do not remove the protective coverings from the front shield of the enclosure until instructed to do so in the correct step.
- If you are installing the enclosure over an existing TV or display, we recommend un-installing or relocating the TV and making sure that the TV or display is centered on a stud to ensure that the enclosure is able to be installed into the studs. If you are trying to install the enclosure only using drywall anchors and not into any studs, we recommend consulting a professional to ensure the wall is able to hold the weight of the enclosure (a consultant could also recommend and/or supply the correct anchoring hardware).
- Depending on the size of the enclosure, you are likely to need one helper for this process.

## CAUTION:

- Prior to installation of this product, the installation instructions should be read and completely understood. The installation instructions must be reviewed to prevent personal injury and property damage. Keep these installation instructions in an easily accessible location for future reference.
- The wall structure must be capable of supporting at least five times the maximum load capacity. If not, the wall must be reinforced.
- Recommended mounting surfaces are wood studs as well as solid and flat concrete/block. If the enclosure is to be installed on any surface other than wood studs, solid concrete or block, use suitable hardware (not included but commercially available). Two (2) hollow wall concrete anchors are provided, however they are for use on either side of the base frame and not for top or bottom anchoring.
- Do not install the enclosure near heaters, fireplaces, air conditioning units or any other heat producing source (direct sunlight should also be avoided). Failure to do so may result in damage to the display and could increase the risk of fire.
- Make sure no water or natural gas lines are present where the enclosure is to be installed. Cutting or drilling into water or natural gas lines could cause personal injury or property damage.
- When mounting to wood studs, it is recommended that a maximum 5/8" particle board be used.
- Proper installation procedure by yourself or a qualified service technician, as outlined in the installation instructions, must be adhered to. Failure to do so could result in serious personal injury.
- When mounting the enclosure to a wall that contains wood studs, confirm the dead center of the wood stud prior to installation. It is recommended that the wood studs be a minimum of 16" apart (if applicable). This product is able to mount to studs at 16" on center, 24" on center or solid, flat concrete/block.
- This product is intended for indoor use only. Premature product failure or serious personal injury could occur if this product is used outdoors.
- It is recommended that two people perform the installation. Injury and/or damage can result from dropping or mishandling the enclosure.
- If you don't understand these installation instructions, please consult an installation specialist.

BE SURE TO CHECK YOUR TV DIMENSIONS (WITH THE WALL MOUNT) TO THE MAXIMUM INTERIOR DIMENSIONS OF THE TV SHIELD PRO LITE®. IF YOUR TV OR DISPLAY IS TOO LARGE IT WILL NOT ALLOW FOR PROPER INSTALLATION OR USE.

## DIMENSIONS:

### THE TV SHIELD PRO LITE® 42-50"

MEDIUM: FITS MOST 40" TO 50" TVS  
MAX INTERIOR DIMENSIONS: 49"W X 27.7"H X 5.4"D  
EXTERIOR DIMENSIONS: 49.4"W X 30.15"H X 6"D  
VIEWING WINDOW DIMENSIONS: 45.4"W X 26.15"H

### THE TV SHIELD PRO LITE® 55-60"

LARGE: FITS MOST 51" TO 60" TVS  
MAX INTERIOR DIMENSIONS: 57.5"W X 32.5"H X 5.4"D  
EXTERIOR DIMENSIONS: 58"W X 35"H X 6"D  
VIEWING WINDOW DIMENSIONS: 54"W X 31"H

### THE TV SHIELD PRO LITE® 65-70"

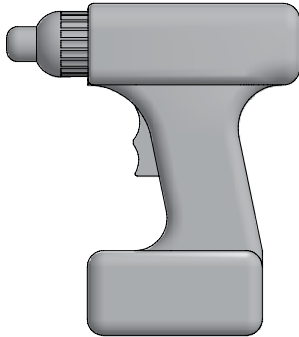
X-LARGE: FITS MOST 61" TO 70" TVS  
MAX INTERIOR DIMENSIONS: 66.5"W X 37.8"H X 5.4"D  
EXTERIOR DIMENSIONS: 67"W X 40.5"H X 6"D  
VIEWING WINDOW DIMENSIONS: 63"W X 36.5"H

### THE TV SHIELD PRO LITE® 75-86"

XX-LARGE: FITS MOST 71" TO 86" TVS  
MAX INTERIOR DIMENSIONS: 79.75"W X 44.8"H X 5.4"D  
EXTERIOR DIMENSIONS: 80.2"W X 47.5"H X 6"D  
VIEWING WINDOW DIMENSIONS: 76.2"W X 43.4"H

## **TOOLS REQUIRED FOR INSTALLATION**

*These are the tools that are generally required for assembly of our products. These tools are not included with the product purchase, nor included in the box. You will need to use the hardware from a separately sold TV wall or ceiling mount.*



***Cordless Drill or Electric Drill***



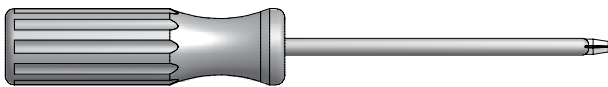
***3/16" Drill Bit for Wood Stud Installation or 1 / 2" Masonry Drill Bit for Concrete/Block Wall Installation and for Drywall Anchors (Used Only for Sides of Enclosure)***



***Electronic Stud Finder for Drywall Applications***



***Bubble Level***



***Phillips Screw Driver***



***7/16" Socket and Wrench***



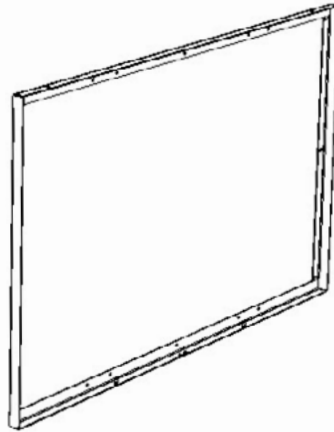
***An Adult w/ an Adult Helper***

# **PARTS IDENTIFICATION**

***Included in Box***



***(1) The TV Shield PRO Lite®***



***(1) Base Wall Frame (Attached to Inside of Enclosure During Shipping)***



***(1) T-27 Allen Key for Pin in Security Screws***



***(1) Fan Power Cord***



***(8) ¼" x 1 ½" Lag Bolts***



***(8) ¼" x 1 ½" Lag Shields/Concrete Anchors***



***(2) ¼" Hollow Wall Anchor***



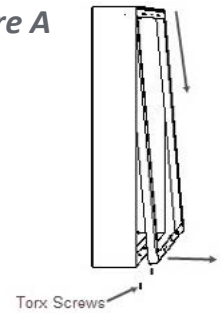
***(2) ¼" x ¾" Security Pin in Torx Screws (Installed in Enclosure During Shipping)***

## STEP 1: Remove Security Screws

\*Read all of the assembly notes, caution notices and important information prior to starting the installation.

1. Remove the two (2) security pin in Torx screws from the bottom of the enclosure using the provided T-27 Allen Key (see Figure A).
- 2) Remove the base frame by shifting the bottom of the base frame away from the front frame and shifting the top of the base frame down to release it from the top pins (see Figure A).

Figure A



## STEP 2: Base Frame Installation

### A) Wood/Metal Stud Installation

\*Skip this section and continue to Step 2, option B if you are installing the enclosure on a concrete or block wall.

**NOTE-**If you are installing this enclosure in a high traffic area or an area where you are concerned with potential objects being thrown at or hit at the front panel, we recommend placing the TV at least 1.5" to 2" back from the front panel. You may need to build out an additional wall frame and attach our base frame to that.

1. Use a high quality Electronic Stud Finder to locate the dead center of a single stud. This first stud location should be the point where you would like the center of your TV to be. Mark this spot with a pencil (see Figure A).
  2. Place the base frame on the wall lining up the center hole with the dead center of stud (see Figure A).
- Note:** The cutout in the base frame is where you will pass any cables through. The enclosure can be oriented with the fan at the top or the bottom depending on your installation and power location (in other words, the unit can be flipped for installation if needed). The fan location will be opposite of the cable pass-through.
3. Use a level to ensure the top and sides of the frame are square and use a pencil to mark all holes in the frame and place the base frame aside (see Figure B).
  4. Drill holes where you marked the wall on the top and bottom using a 3/16 drill bit and ensure you are hitting the studs; the holes in the base frame are set at 16" on center and 24" on center (see Figure B).
  5. Drill holes with a 1/2" drill bit on the sides where you marked the wall and install the provided (2) 1/4" hollow wall anchors; remove the Phillips head screw and only install the anchor (see Figure B).
  6. Place the base frame on the wall and install the top (3) 1/4" x 1 1/2" Lag Bolts only (use the level on the side of the base frame prior to installing any other screws or Lag Bolts). Install the bottom (3) 1/4" x 1 1/2" Lag Bolts and install the (2) 1/4" Phillips head screws that were removed from the hollow wall anchor (see Figure C).

Figure A

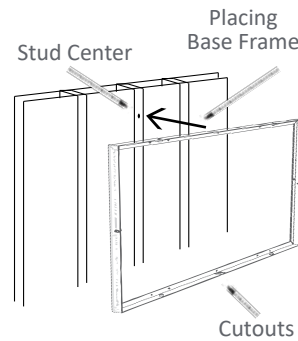


Figure B

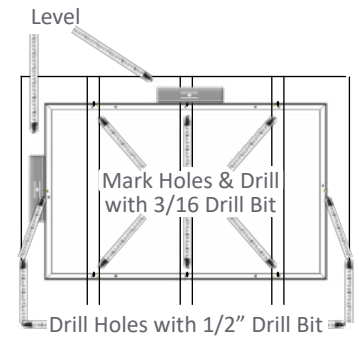
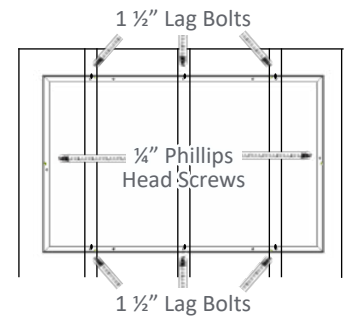


Figure C



### B) Concrete/Block Wall Installation

1. Place the base frame on the wall and use a level on the top and sides to ensure it is square (see Figure A).
2. On the wall, mark 3 holes at the top, 3 holes at the bottom, and the hole on each side (holes on the top and bottom should be marked at the center and outer most holes) and place the base plate aside (see Figure A).
3. Drill holes using a 1/2" masonry drill bit to a depth of 1 1/2" where you marked (see Figure B).
4. Insert the (8) eight 1/4" x 1 1/2" Lag Shields/Concrete Anchors into the holes you drilled. If necessary, a hammer can be used to lightly tap each concrete anchor into place so they are flush with the wall (see Figure B).
5. Place the base frame back into position and install the (8) eight 1/4" x 1 1/2" Lag Bolts. Prior to tightening all of the Lag Bolts, use the level again to ensure the base frame is square (see Figure C).

Figure A

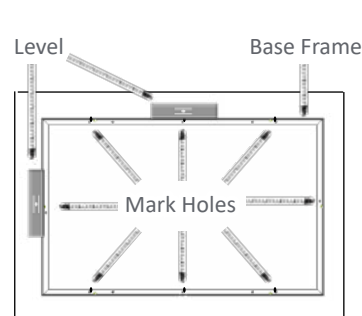
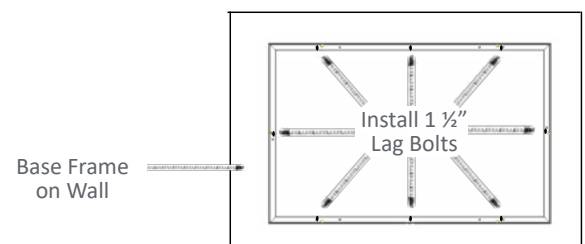


Figure B



Figure C

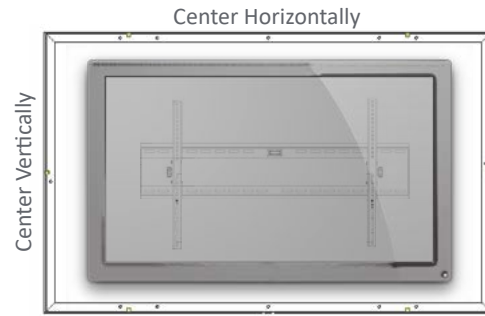


## STEP 3: TV Installation

1. Install your TV mount and TV according to the separately sold TV mount instructions. Be sure to center your TV perfectly in the base frame horizontally and vertically to ensure that the enclosure fits in the space properly; not all TVs and mounts have centered mounting locations, so measure accordingly (see Figure A).

**Note:** Be sure to check your total TV depth from the wall with the mount and make sure it is less than the max interior depth of the enclosure. You may need to use a low profile mount for installations where the TV is more than 2.5".

Figure A



## STEP 4: Enclosure Installation

1. Remove the interior protective coating from the clear shield prior to moving on. You may want to clean the interior of the front shield using only approved cleaning products (see cleaning instructions on page 7).

2. Connect the power cord to the fan unit.

3. Install the enclosure onto the base frame by holding the enclosure approximately 1" above the base frame at the top with the bottom of the enclosure at a slight angle away from the wall. Shift the enclosure down while the pins on the enclosure engage into the holes on the base frame (see Figure A).

4. Ensure all power and component cables are routing through the cable pass through in both the base frame and also the enclosure (see Figure B).

5. Install the two (2) 1/4" x 3/4" security pin in Torx screws through the bottom of the enclosure and into the base frame (see Figure C).

Note: You may need to lift the bottom center of the enclosure to get the security pin in Torx screws to engage in larger enclosure.

Figure A

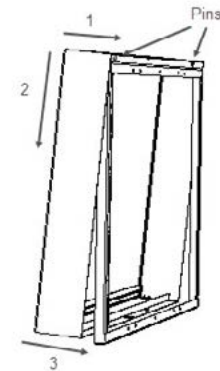


Figure B

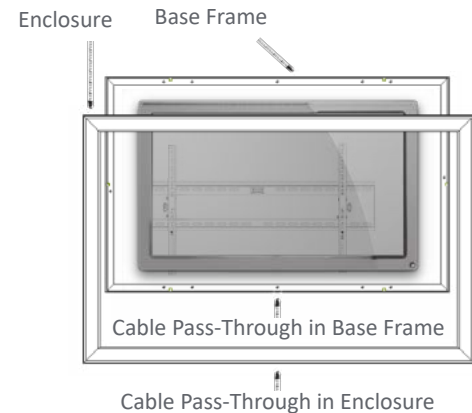


Figure C



## STEP 5: Removal of Protective Film & Cleaning

1. Remove the outer protective coating from the front shield.

2. Clean the unit if necessary using only approved cleaning products and recommended steps below (on page 7) to ensure the entire enclosure is kept like new.

# CLEANING INSTRUCTIONS (POLYCARBONATE)

## Polycarbonate:

When the polycarbonate sheet is first installed, the glazing compound and masking paper adhesive can be easily removed by applying naphtha (VM and P) or kerosene with a soft cloth, followed immediately with a thorough soap and water cleaning (DO NOT USE GASOLINE). Adherence to regular and proper cleaning procedures is recommended to preserve the appearance of the unit.

## Washing to Minimize Scratching:

Wash the polycarbonate sheet with a mild soap or detergent and lukewarm water, using a clean sponge or a soft cloth. Rinse the panel well with clean water. Dry the product thoroughly with a chamois or moist cellulose sponge to prevent water spots. Do not scrub, use brushes or apply abrasives on these products. Splashes, grease and smeared glazing compounds can be removed easily before drying by rubbing the shield lightly with a good grade of naphtha or isopropyl alcohol. Follow the alcohol rub with a mild detergent wash using warm water and end with a clean water rinsing.

## Minimize Hairline Scratches:

Scratches and minor abrasions can be minimized by using a mild automotive polish. Three such products that tend to polish and fill scratches are Johnson Paste Wax, Novus Plastic Polish #1 and #2, Novus, Inc., Minneapolis, MN and Mirror Glaze plastic polish (MG M10) Mirror Bright Polish Co., Pasadena, CA. It is suggested that a test be conducted on a sample of the polycarbonate sheet with the product selected and that the polish manufacturer's instructions be followed.

- DO NOT use abrasive or highly alkaline cleaners on the polycarbonate.
- DO NOT scrape the polycarbonate sheet with squeegees, razor blades or other sharp instruments.
- DO NOT ever use benzene, gasoline, acetone or carbon tetrachloride on the polycarbonate sheets.
- DO NOT clean the polycarbonate sheets in the hot sun or on very hot days.

## Compatible Cleaners for Polycarbonate Plastic:

The following cleaning agents have been found to be compatible with polycarbonate (the manufacturer's instructions should be followed):

- The TV Shield *PRO* Lite® recommended cleaners (found on our website at [www.thetvshield.com](http://www.thetvshield.com))
- VM and P grade Naphtha Joy™ (Proctor and Gamble)
- Palmolive Liquid™ (Colgate Palmolive)

## Cleaners for Graffiti Removal:

- Butyl Cellosolve (for removal of paints, marking pens, lipstick, etc.)
- Masking tape, adhesive tape or lint removal tools (work well for lifting off old weathered paints)
- Kerosene, naphtha, or petroleum spirits (generally effective for removing labels, stickers, etc)  
**Note:** *When the solvent will not penetrate the sticker material, apply heat (hair dryer) to soften the adhesive and promote removal (GASOLINE SHOULD NOT BE USED).*

## Job Site Precautions:

New construction and renovations frequently require that the glazing and surrounding sash and wall finish be cleaned of any excess mortar, paint, sealant, primers or other construction compounds. Only recommended cleaners should be used to clean the polycarbonate sheets. Contact with harsh solvents such as methyl ethyl ketone (MEK) or muriatic acid can result in surface degradation and possible crazing of the polycarbonate.



# ENCLOSURES GUIDE

All Protective Enclosures Company TV and display enclosures offer high impact resistance, shatterproof front panels (anti-glare available for some units), security systems, theft, burglary, vandalism, and tampering protection, and cable pass-throughs.

## The TV Shield



TV/Display Access Style: Hinged Shatterproof Front Panel Props Open with Prop Arms (Front Panel Cannot be Detached)

Includes Back Housing which Attaches to the Wall with Separately Sold VESA Mount

Sizes Ranges: 19-65"

HMWPE Polymer Landscape Anti-Glare (Available) Key Lock(s) Security System 3-Year Warranty Filtered Ventilation, Weatherproof, Water, Moisture, Dust, Salt Water Air/Corrosion, and Pest Resistant

## The Display Shield



TV/Display Access Style: Shatterproof Front Panel can be Detached by Removing the Security Screw System

Includes Back Housing which Attaches to the Wall with Separately Sold VESA Mount

Size Ranges 19-65"

HMWPE Polymer Portrait or Landscape (Sold Separately) Anti-Glare (Available) Security Screw System 7-Year Warranty Filtered Ventilation, Weatherproof, Water, Moisture, Dust, Salt Water Air/Corrosion, and Pest Resistant

## The TV Shield



TV/Display Access Style: Shatterproof Front Panel is Secured in the Front Frame which Props Open with Gas Shocks (Front Panel and Frame Cannot be Detached)

Includes Back Housing which Attaches to the Wall with Separately Sold VESA Mount

Size Ranges: 40-85"

Powder Coated Aluminum/Steel Landscape Anti-Glare (Standard) Key Lock(s) Security System 5-Year Warranty Filtered Ventilation, Weatherproof, Water, Moisture, Dust, Salt Water Air/Corrosion, and Pest Resistant

## The TV Shield



TV/Display Access Style: Shatterproof Front Panel is Secured in the Front Frame which can be Detached by Removing the Security Screw System

Includes Back Housing which Attaches to the Wall with Separately Sold VESA Mount

Size Ranges 40-65"

Powder Coated Steel Portrait Anti-Glare (Standard) Security Screw System 5-Year Warranty Filtered Ventilation, Weatherproof, Water, Moisture, Dust, Salt Water Air/Corrosion, and Pest Resistant

## The TV Shield



TV/Display Access Style: Shatterproof Front Panel is Secured in the Front Frame which can be Detached by Removing the Security Screw System

Includes Pedestal which Secures to the Ground Using High Strength Chambered Key Locks

Size: 27-32"

Powder Coated Steel Portrait Security Screw System 2-Year Warranty Filtered Ventilation, Weatherproof, Water, Moisture, Dust, Salt Water Air/Corrosion, and Pest Resistant

## The TV Shield



TV/Display Access Style: Robust Opaque Front Cover can be Detached and Stored on Hooks at the Bottom of the Back Housing

Includes Back Housing which Flush Mounts to the Wall

Size Ranges: 36-65"

ABS and ASA Polymer Landscape Opaque Removable Front Cover Anti-Theft Locking Holes 2-Year Warranty Weatherproof, Water, Moisture, Dust, Salt Water Air/Corrosion, and Pest Resistant

Aside from the kiosk which was added 7/8/25, this guide was last updated 4/28/23, so details are subject to change and may have been updated since this chart was created.

## PROTECTION & FEATURE OPTIONS

From weatherproof, tamper-resistance, shatterproof screen protection, water-resistance, temperature regulation, and UV defense to pest-control and more, we protect TVs and displays from almost any threat.



## TOUCH SCREEN ENCLOSURES

Enjoy TV and display protection plus touch screen capabilities. Ask us about our interactive touchscreen capable TV enclosure solutions.



## ANTI-LIGATURE ENCLOSURES

Our sloped top TV enclosure solution is designed to be used in environments where anti-ligature requirements are in place to prevent intentional or accidental self-harm to patients or others.



## THANK YOU SO MUCH FOR YOUR PURCHASE, PLEASE LEAVE US A REVIEW?

How often do you use online reviews to make buying decisions? In today's digital world, online reviews are more important than you can imagine to a company like ours. We would so appreciate if you take a moment to provide a review on one or multiple of the platforms below. As a small US business, this is something that can dramatically help us continue to grow. If for any reason we are not 5 stars, please let us know and we will do whatever it takes to be sure that you are completely satisfied with your purchase, products, and service from our company. You can reach us directly at customerservice@protectiveenclosures.com or by phone at 800-331-2628. Thank you so much for your time in advance.

amazon  
amazon.com/thedisplaysield



The Display Shield  
thedisplayshield.com



Google  
tinyurl.com/thetvshield



## CLEANING INSTRUCTIONS (ENCLOSURE)

### Enclosure:

The TV Shield *PRO* Lite® is manufactured using a heavy duty but lightweight aluminum frame for strength and rigidity. We use a triple powder coating process to ensure a thick and long lasting product. Although powder coating is an alternative to traditional paint and holds up much better it still does require some maintenance. Below are the instructions to keep your enclosure looking new for years to come.

- Wash your powder-coated item at least once every six months. Dust, dirt and grime can actually eat away at the powder coat and cause it to need refinishing.
- Wipe down the powder coat with a rag that has been dampened with the cleaning solution. Do not scrub (instead use gentle, repetitive pressure to remove any built-up grime and soot).
- Rinse the powder coat off using a rag dampened with clear, clean water. Do not spray it down, but rather wipe it off with the rag. You may need to do this several times to get all the soap off.
- Wipe the powder coat down with a clean rag. This will prevent streaking and spotting.
- The powder coat, when cleaned correctly, will not chip or peel like more conventional paints, as long as it is cleaned regularly.



## **The TV Shield PRO Lite<sup>®</sup> Limited Product Warranty**

This limited warranty is provided by Protective Enclosures Company, LLC for The TV Shield PRO Lite<sup>®</sup> product(s) identified by the purchaser's registration as indicated below. This limited warranty is between Protective Enclosures Company, LLC and the registered purchaser of the product. There are no other warranties, express or implied, except as required by law, including warranties of merchantability and fitness for a particular purpose, that are provided for herein; however, all such implied warranties, if any, are limited to the duration of this specific limited product warranty. Some states do not allow limitations on how long an implied warranty lasts, so the above limitations may not apply to you.

### **The TV Shield PRO Lite<sup>®</sup> Limited Product Warranty:**

- \* 5-Year Limited Warranty on durable and lightweight aluminum housing.
- \* 2-Year Limited Warranty on the polycarbonate front shield (cover/panel/window) against cracking or breaking with normal consumer use. This warranty does not cover any scratches or damage caused by abuse or abnormal use; it only covers against discoloring, cracking, yellowing, or breaking of the polycarbonate front shield.
- \* 2-Year Limited Warranty on product failure or quality of workmanship and on all other components against any manufactures defects.

This is a limited warranty, subject to the conditions, limitations and exclusions identified herein. Protective Enclosures Company, LLC warrants to the original purchaser of the registered or identified product for a period of time listed above, from the date of purchase, that the product shall be free of defects in materials, and workmanship, and subject to the limitations set forth below; Protective Enclosures Company, LLC will repair or replace, at its option, any defective unit. Protective Enclosures Company, LLC hereby warrants to the original retail purchaser of this product that should this product or any part thereof, under normal use and conditions, prove to be defective in material or workmanship within the time frame from the original purchase specified above, such defect(s) will be repaired or replaced with a new or reconditioned product (Protective Enclosures Company LLC's option) without charge for parts and repair labor. Purchaser must return the product to Protective Enclosures Company, LLC, (return receipt requested) or by other means that confirms delivery and Protective Enclosures Company, LLC shall make the said repairs or replacement within 60 days of receipt. In some instances the product may have been discontinued and cannot be replaced, or repaired. In that instance Protective Enclosures Company, LLC shall in its discretion attempt to replace the product with a substantially similar product in a current model or design or pay the purchaser a sum for the then fair market value of the product, considering the amount of depreciation since sale, and the use of the product. This Limited Warranty is the original retail purchaser's sole remedy for any and all such defect(s).

### **Conditions and Limitations:**

Proof of purchase is required (i.e. the sales receipt or other proof of payment). Damage caused by accidents, abuse, misuse or modification of the product will render this warranty null and void. This warranty is applicable only to the original purchaser and is not assignable or transferable. To obtain repairs or replacement under the terms of this warranty, please contact Protective Enclosures Company, LLC at 1-800-331-2628 or visit [www.protectiveenclosures.com](http://www.protectiveenclosures.com). You will need to provide proof of purchase (dated receipt showing where the item was purchased) and the product part number in order to receive warranty service. The purchaser is required to send the product back to Protective Enclosures Company or to a designated repair center and the purchaser is responsible for all charges for shipping and handling.

**This Limited Warranty does NOT cover:**

1. Products which have been subject to abuse, accident, alteration, modification, tampering, negligence, misuse, theft or attempted theft, vandalism, improper installation, lack of reasonable care, unauthorized repair or service, or if the model or serial number has been altered, tampered with, defaced or removed.
2. Loss or damage caused by the use of unauthorized cleaning products or methods that damage or destroy the product.
3. Initial installation or the removal and re-installation of the product.
4. Cosmetic damage, an act of God, or natural disaster.
5. Products modified or used for any purposes other than for those which the product is specifically designed.
6. Damage that occurs in shipment (the third party shipping service is responsible for any shipping damages).

**The company reserves the right to remedy any minor defects in defective units by replacing defective, inoperable or missing parts rather than offering a refund or exchange.**

Protective Enclosures Company, LLC, or any subsidiaries, shall not be liable, under any circumstances, for incidental, indirect, special, and consequential or multiple damages as a result of the sale or use of this The TV Shield *PRO* Lite® product. Some states and countries do not allow the exclusion or limitation of incidental or consequential damages, so the above limitations or exclusions may not apply to you.

THE EXTENT OF PROTECTIVE ENCLOSURES COMPANY, LLC'S LIABILITY UNDER THIS WARRANTY IS LIMITED AS PROVIDED ABOVE AND, IN NO EVENT, SHALL THE LIABILITY OF PROTECTIVE ENCLOSURES COMPANY, LLC EXCEED THE PURCHASE PRICE PAID BY THE ORIGINAL RETAIL PURCHASER FOR THE PRODUCT.

**Any questions regarding this warranty should be addressed to:**

Protective Enclosures Company, LLC  
The TV Shield | The Display Shield | The TV Shield *PRO* | The TV Shield *PRO* Lite  
ATTN: WARRANTY DEPARTMENT  
277 Douglas Avenue, Suite 1012  
Altamonte Springs, Fl. 32714  
USA  
800-331-2628 Toll Free

THIS WARRANTY IS IN LIEU OF ALL OTHER EXPRESS WARRANTIES OR LIABILITIES. ANY IMPLIED WARRANTIES, INCLUDING ANY IMPLIED WARRANTY OF MERCHANTABILITY, SHALL BE LIMITED TO THE DURATION OF THIS WRITTEN WARRANTY. IN NO EVENT SHALL PROTECTIVE ENCLOSURES COMPANY, LLC, OR ANY SUBSIDIARY, OWNER, OR PARTNER BE LIABLE FOR ANY CONSEQUENTIAL OR INCIDENTAL DAMAGES FOR BREACH OF THIS OR ANY OTHER WARRANTY EXPRESS OR IMPLIED WHATSOEVER.

No person or representative is authorized to assume for Protective Enclosures Company, LLC any liability other than expressed herein in connection with the sale of this product. Some jurisdictions do not allow limitations on how long an implied warranty lasts or the exclusion or limitation of incidental or consequential damages so the above limitations or exclusions may not apply to you. This warranty gives you specific legal rights and you may also have other rights, which vary from jurisdiction to jurisdiction.

## **REFUND/RETURN POLICY**

We offer a **30-Day Money Back Guarantee** on all unopened, unused and/or undamaged units. The unit must be unaltered and it must have the protective covering(s) on the front panel and be undamaged and in original new condition. A 10% restocking fee applies and all refunds will be minus the actual shipping charges to and from Protective Enclosures Company.

**Upon acceptance and processing of the return/refund, all funds will be returned to the original method of payment (minus all fees).**

**All refunds will be returned to the original method of payment minus all fees and will be processed on our end within 10 business days (excluding weekends and holidays).**

Protective Enclosures Company DOES NOT accept returns on units that have been drilled, scratched, damaged, abused or have had the protective coverings taken off of the front panel, as they cannot be resold as new products. If you have made a mistake when drilling or mounting The TV Shield *PRO* Lite<sup>®</sup>, although we will not accept a return within terms, we do have several remedies available to you to help you repair the “damaged” area and still be able to use your unit. Please call our customer service department for help at 1-800-331-2628 which is toll free, anytime during normal business hours which are between 9:30am and 6:00pm Eastern Standard Time, Monday through Friday.

### **LIMITED WARRANTY**

**Protective Enclosures Company, LLC – The TV Shield *PRO* Lite<sup>®</sup> Limited Warranty – Valid in the United States and Canada**

#### **Protective Enclosures Company, LLC**

The TV Shield | The Display Shield | The TV Shield *PRO* | The TV Shield *PRO* Lite  
277 Douglas Avenue, Suite 1012  
Altamonte Springs, Fl. 32714  
800-331-2628 Toll Free

Specifications are subject to change without notice.  
All trademarks are the property of their respective owners.  
[www.protectiveenclosures.com](http://www.protectiveenclosures.com)



**Protective Enclosures Company**

277 Douglas Avenue, Suite 1012

Altamonte Springs, Fl. 32714

1-800-331-2628

Specifications are subject to change without notice.  
All trademarks are the property of their respective owners.

[www.thetvshield.com](http://www.thetvshield.com)