

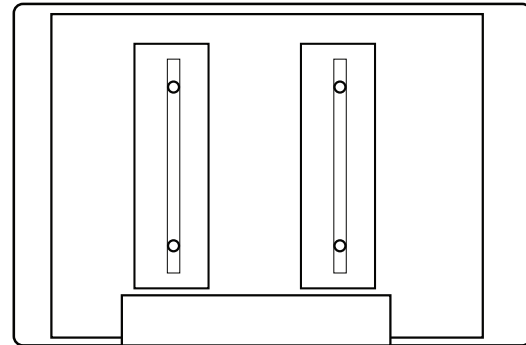
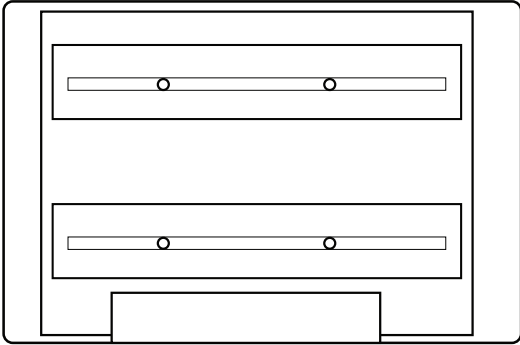
2" SPACER KIT INSTALLATION INSTRUCTIONS

INCLUDED IN KIT: (2) Slotted Styrofoam blocks (4) 4mmX80mm bolts, (4) 5mmX80mm bolts, (4) 6mmX80mm bolts, (4) 8mmX-80mm bolts. (4) Slotted Styrofoam blocks are included with the 50"-60" model.

Please note:

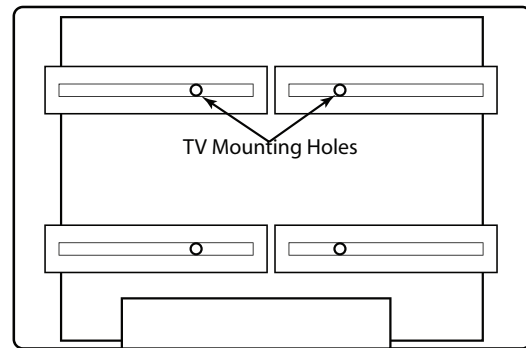
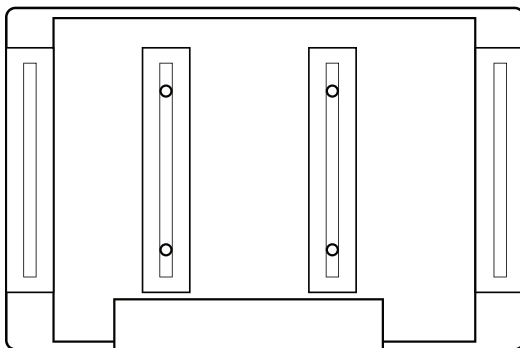
If using the 19" to 26" TV Shield your spacers will need to be placed on the back of the TV lengthwise from side to side (horizontal)

If using the 30" to 42" TV Shield your spacers will need to be placed on the back of the TV lengthwise going up and down (vertical)



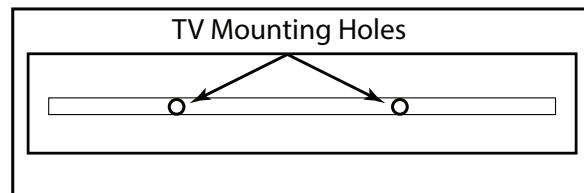
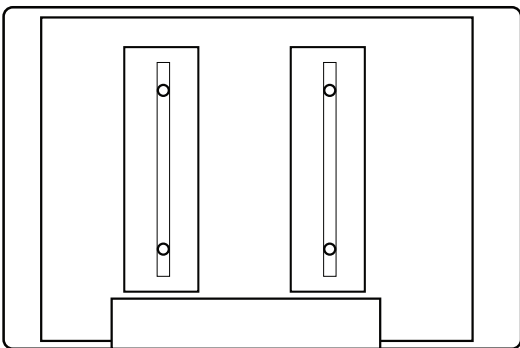
If your TV has a 100X100, 200X200 or 400X400 VESA pattern please install spacers like picture below

If your TV has a 600X400 VESA mounting pattern please install spacers like picture below.



INSTRUCTIONS:

1. Prior to doing step 10 in The TV Shield mounting instructions, please install spacers.
2. While TV is face down on mounting blocks, done in step 9 of The TV Shield mounting instructions, remove adhesive backing on spacers and place spacers centered over threaded mounting holes in your TV. You should be able to see the mounting holes through the cutout in spacer when done.



3. Verify which size bolt fits your TV by screwing one in and removing it prior to continuing.
4. Go back to step 10 of The TV Shield mounting instructions and continue as instructed. Use bolts included with spacer kit when doing step 13 of The TV Shield mounting instructions.